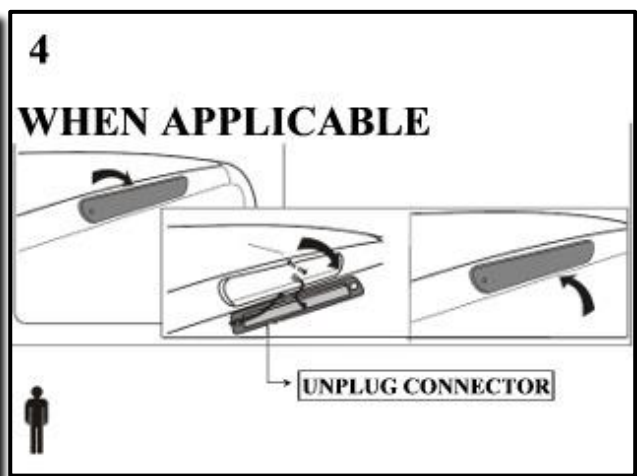
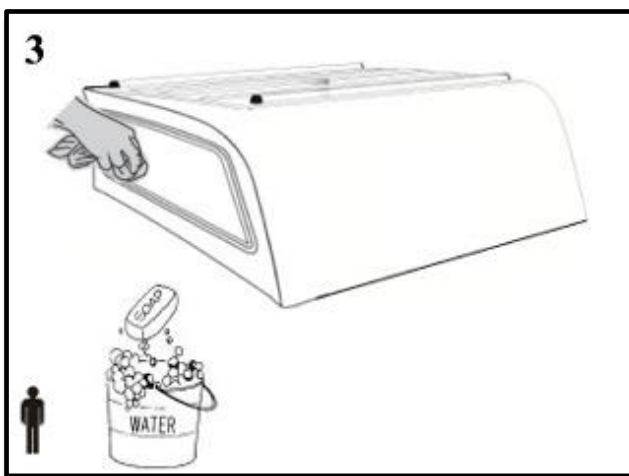
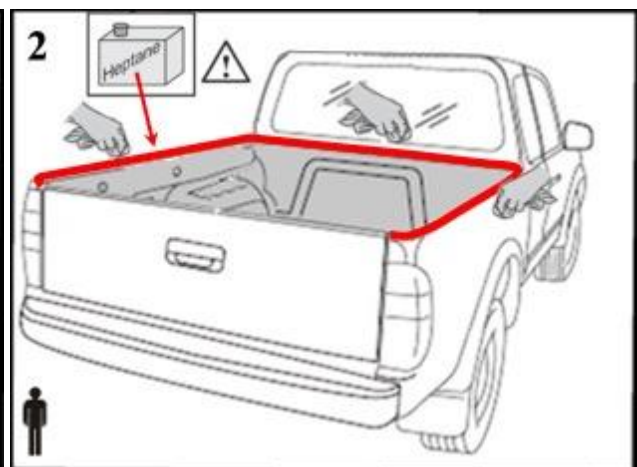


FORCE PRO FU
INSTALLATION MANUAL
ALL MODELS

INSTALLATION INSTRUCTIONS

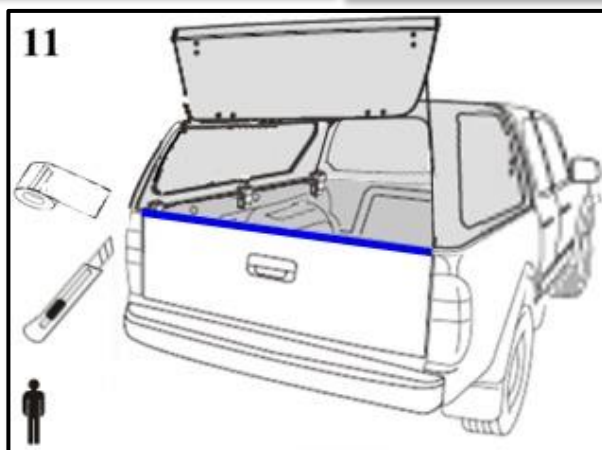
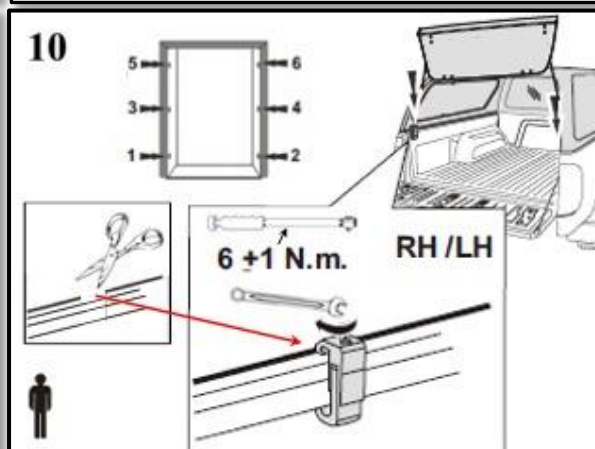
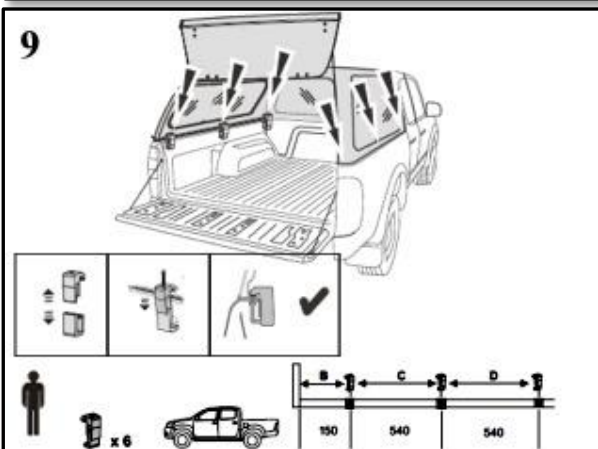
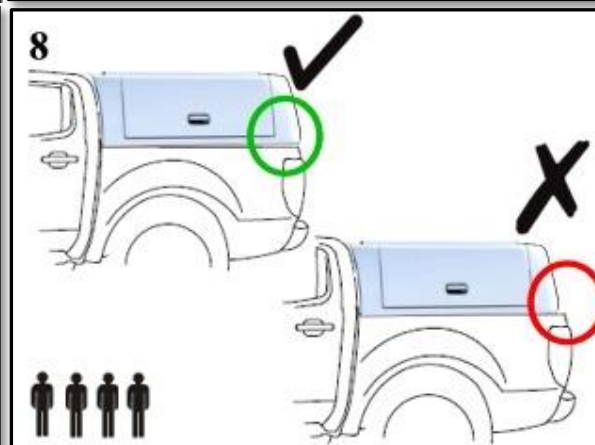
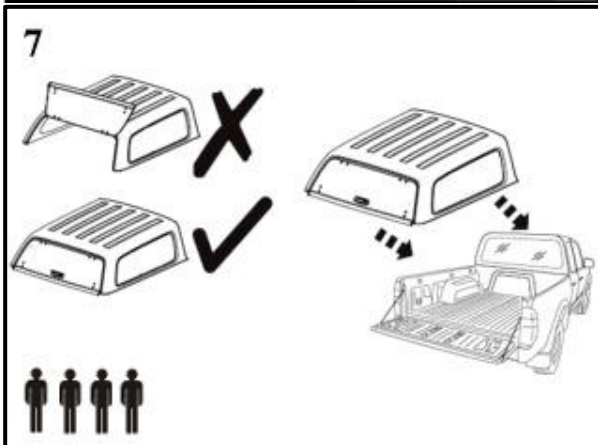
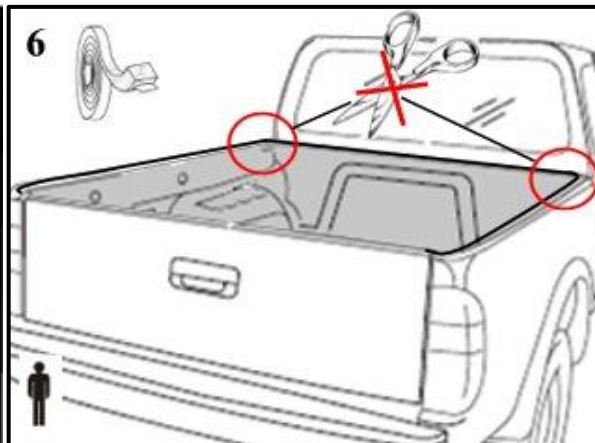
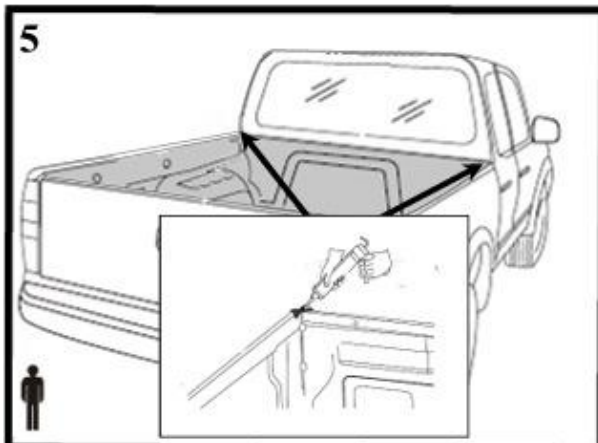
FORCE PRO

<h3>INSTALLATION KIT</h3> <p>1x</p> <p>1x</p> <p>6x</p>	<h3>TOOLS</h3> <p>Heptane</p> <p>N°17</p>
---	---

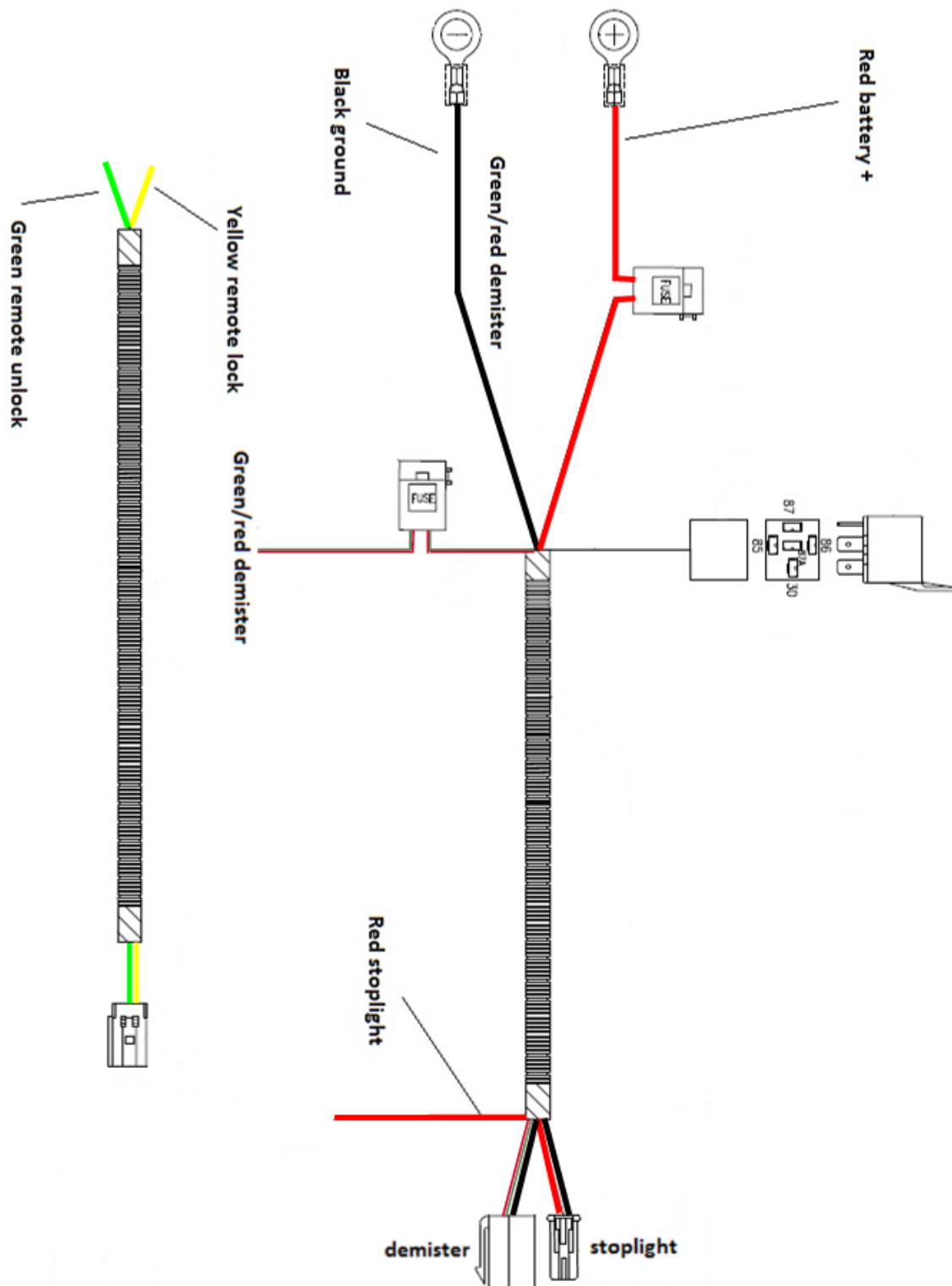


INSTALLATION INSTRUCTIONS

FORCE PRO



ELECTRICAL CONNECTION



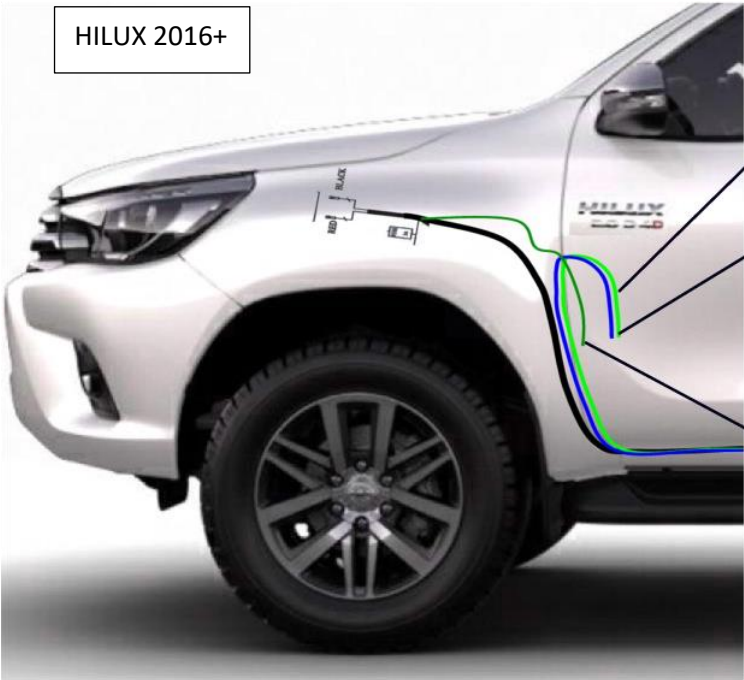
INSTALLATION INSTRUCTIONS



AMAROK



HILUX 2016+



Remote lock signal



Window heater signal

INSTALLATION INSTRUCTIONS



L200/FULLBACK 2016+



NP300/ALASKAN 2016+

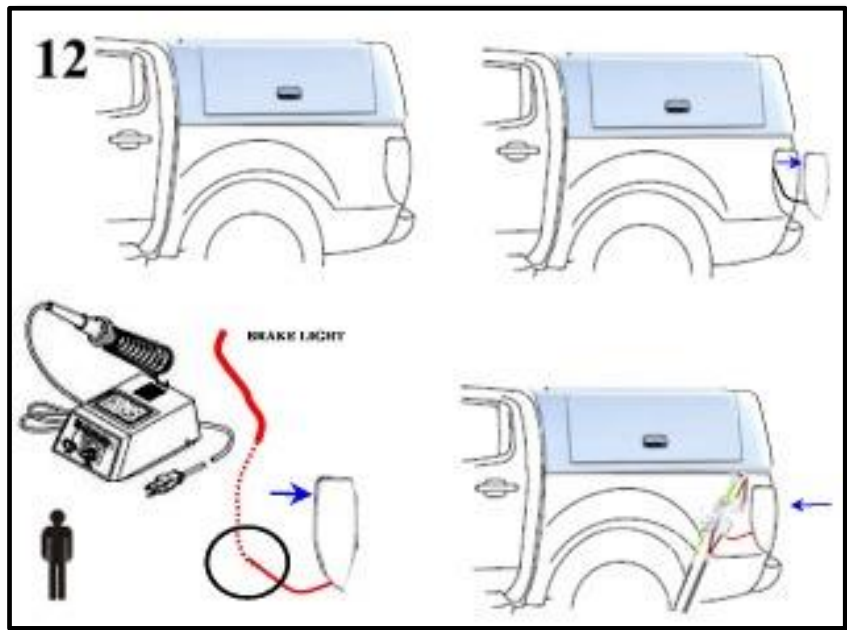
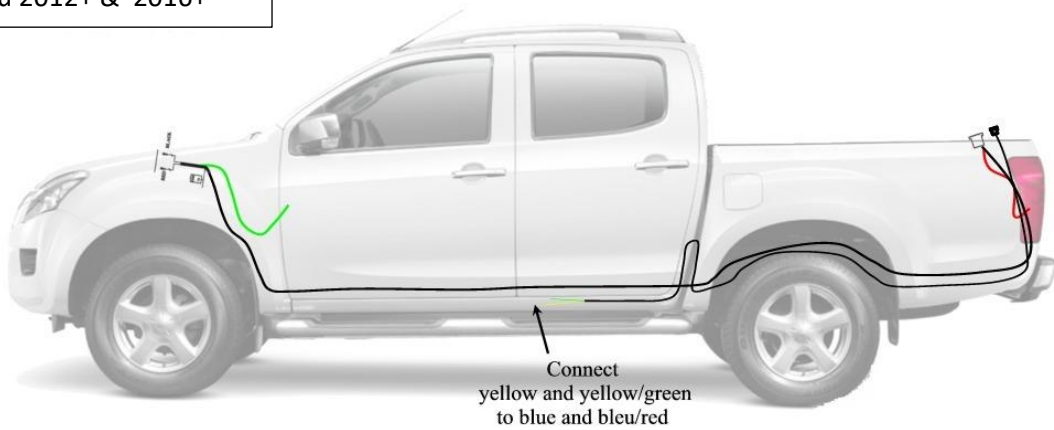


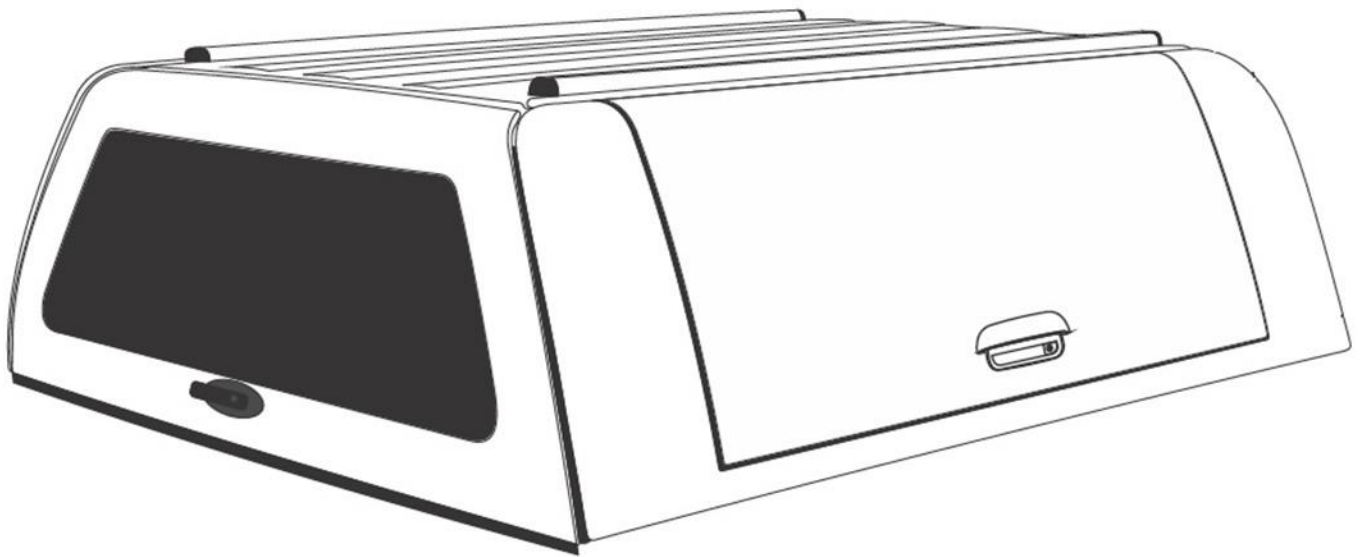
RANGER 2012+ & 2016+

INSTALLATION INSTRUCTIONS



Isuzu 2012+ & 2016+





AUTOACCESS NV

website: www.auto-access.eu

contact: sales@auto-access.eu

tel: +32(0)33120742